

Color Picture Tube

Perma-Chrome Banded-Type Implosion Protection
90° Rectangular HI-LITE Screen
New Rare-Earth (Red) Phosphor Unity Current Ratios

This data sheet is to be used in
conjunction with data for RCA-22UP22.

For general data, maximum and minimum ratings, equipment design ranges, limiting circuit values, x-radiation warning, and base specification of the 22WP22, refer to the 22UP22 except as noted below.

MECHANICAL

Tube Dimensions (excluding mounting lugs):

Diagonal 21.971 ± .093 in (558.06 ± 2.36 mm)

Greatest

Width 19.118 ± .093 in (485.60 ± 2.36 mm)

Greatest Height (including tension-

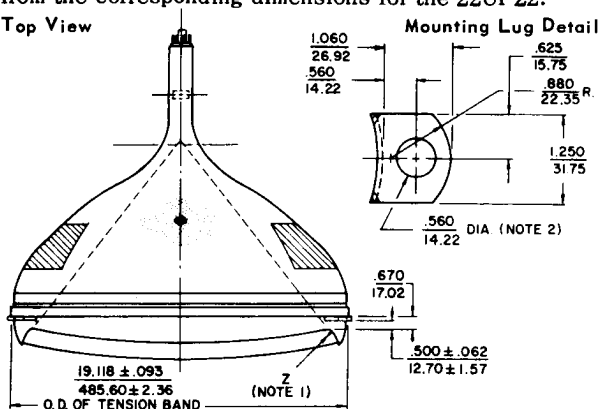
band clip) 15.527 ± .100 in (394.39 ± 2.54 mm)

Weight (Approx.) 29 lb (13.3 kg)

DIMENSIONAL OUTLINE

Dimensions shown are only those which are different from the corresponding dimensions for the 22UP22.

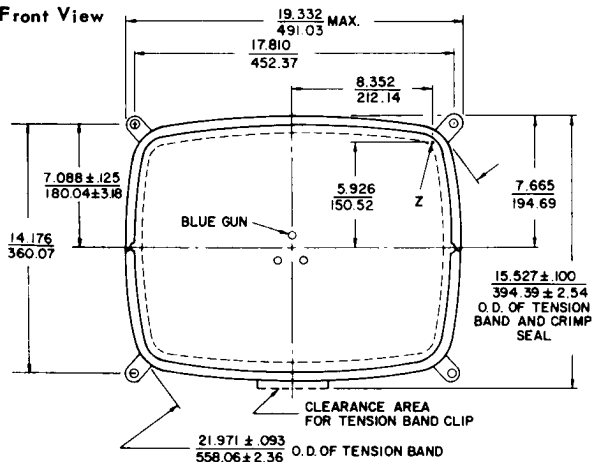
Top View



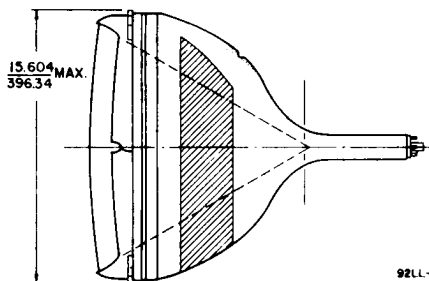
22WP22

DIMENSIONAL OUTLINE (Cont'd)

Front View



Front Side View



Dimensions in $\frac{\text{Inches}}{\text{mm}}$ unless otherwise noted

Note 1: "Z" is located on the outside surface of the faceplate, on the screen diagonal at a point .125" beyond the minimum screen. This point is used as a reference for the mounting lugs.

Note 2: The tolerance of the mounting lug holes will accommodate mounting screws up to 0.375 in (9.5 mm) in diameter when positioned on the true hole centers.

Picture Tube

NO ION-TRAP MAGNET REQUIRED
 LOW-VOLTAGE ELECTROSTATIC FOCUS 110° MAGNETIC DEFLECTION

ELECTRICAL

Direct Interelectrode Capacitances

Cathode to all other electrodes.	5	pF
Grid No.1 to all other electrodes.	6	pF
External conductive coating to anode	2500 max 1700 min	pF
		pF
Heater Current at 6.3 V.	600 ± 30	mA
Heater Warm-up Time (Average).	11	s
Electron Gun	Type Requiring No Ion-Trap Magnet	

OPTICAL

Phosphor	P4—Sulfide Type, Aluminized
For curves, see front of this section	
Faceplate.	Filterglass
Light transmission (Approx.)	76%

MECHANICAL

Weight (Approx.)	25 lb
Overall Length	14.875 ± 0.281 in
Neck Length.	5.125 ± 0.125 in
Projected Area of Screen	282 sq in

External Conductive Coating

Type	Regular-Band
Contact area for grounding	Near Reference Line

For Additional Information on Coatings and Dimensions

See *Picture-Tube Dimensional-Outlines* and *Bulb J187E* sheets at front of this section

Cap. Recessed Small Cavity (JEDEC No. J1-21)

Base Small-Button Neoeightar 7-Pin, Arrangement 1 (JEDEC No. B7-208)

TERMINAL DIAGRAM (Bottom View)

- Pin 1—Heater
- Pin 2—Grid No.1
- Pin 3—Grid No.2
- Pin 4—Grid No.4
- Pin 6—Grid No.1
- Pin 7—Cathode
- Pin 8—Heater
- Cap—Anode (Grid No.3, Grid No.5, Screen, Collector)
- C—External Conductive Coating

